

# Voyager<sup>®</sup>

Color CMOS Camera

# VCMS20



## PRODUCT FEATURES:

- High Performance Color Optics
- CMOS Technology
- LED Low Light Assist (19 LEDs)
- Microphone
- Normal/Mirror Image Switch
- Black Aluminum Housing
- IP69K Waterproof Rating
- Corrosion Resistant
- 12 Volt DC
- Available in white or black (VCMS20/VCMS20B)

**CONTACT US**

**1-888-452-4053**

1866 N. COUNTRY LANE  
MICHIGAN CITY, IN 46360

SALES@MSFOSTER.COM  
WWW.MSFOSTER.COM

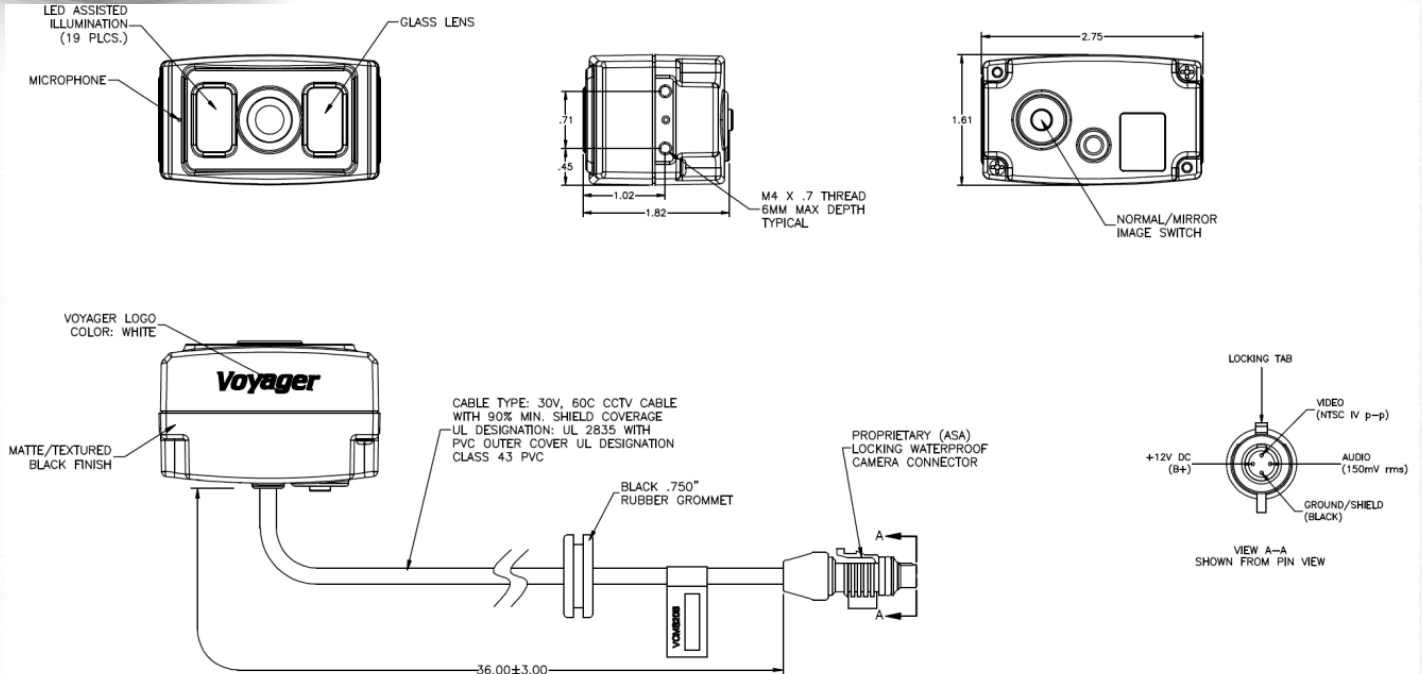


## MS FOSTER

SERVING THE TRANSPORTATION INDUSTRY

# Voyager<sup>®</sup>

## Color CMOS Camera VCMS20B



### Specifications: ES-0001 Electrical / ES-0013 Environmental

#### General Specifications:

Power System	12VDC	
Operating Voltage Range	9V – 15VDC	
Power Consumption	161 mA	
Operating Temperature Range	-40°F to 185°F	-40°C to 85°C
Storage Temperature Range	-40°F to 185°F	-40°C to 85°C
Operating Relative Humidity	100% RH	
Waterproof Rating	IP69K	
Overall Dimensions (without bracket)	1.61" x 1.82" x 2.75"	40.9 x 46.2 x 68.8 mm
Product Weight (unpacked)	8.82 Oz	250 g

#### Optical Specifications

Video Output Signal Format	NTSC	
Video Signal Output Level	1.0V p-p ; 75Ω	
CCD Specifications	Sensor	1/3" CMOS
	Iris/Shutter Type	Electronic Automatic
	Shutter speed	1/60 s ~ 12 μs
	Resolution	600 TV Lines
	Sensitivity	0 Lux
	Image Orientation	Mirror / Normal
	View Angles	D
	H	109°
	V	93°

Features and specifications subject to change without notice.