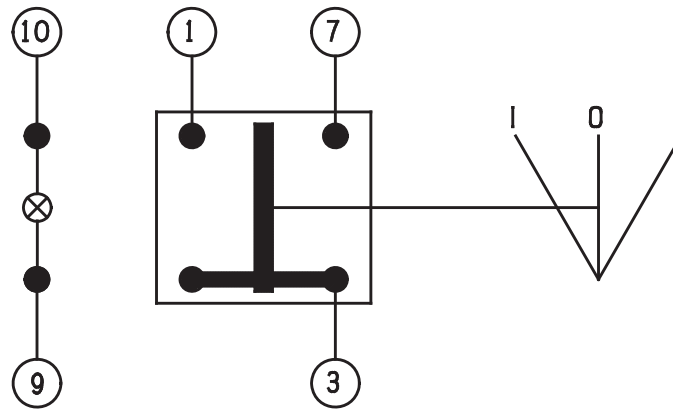


ERD6-8

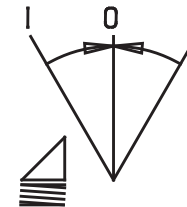
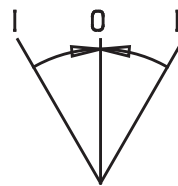
SCHEMATIC OPERATION



NOTES:

1. CONTACT CAPACITY (RESISTIVE/LAMP):
16A @ 13.5V
10A @ 27.5V
2. TERMINALS 9 & 10 ARE FOR LIGHTING.
3. THE SCHEMATIC, SWITCH FEATURES AND LIGHTING ARE COMMON BETWEEN THE 511.XXX, 512.XXX AND 516.XXX SERIES OF SWITCHES.

SWITCH OPERATION



LIGHTING	BASIC SWITCH	MOMENTARY I & II	LOCK OFF	MOMENTARY I&II LOCK OFF 0-I	LOCK ON & OFF
NONE		065 - 12V/24V		286 - 12V/24V	
GENERAL		066-12V 067-24V		287-12V 288-24V	
LOCATING		068-12V 069-24V		289-12V 290-24V	
LOCATING & FUNCTION					



MS FOSTER

SERVING THE TRANSPORTATION INDUSTRY

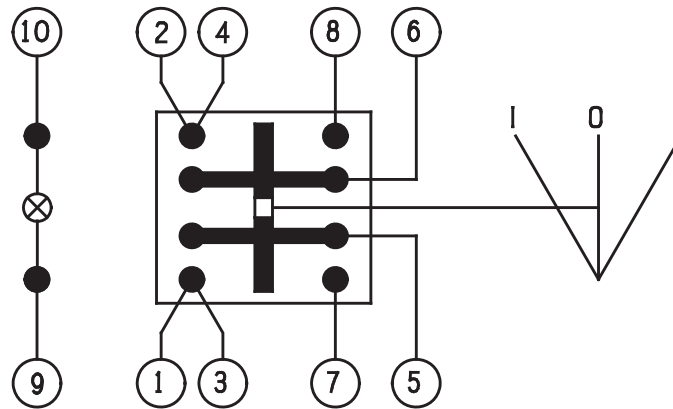
1040 Highway 212
Michigan City, IN 46360

OFFICE 219.879.9225
TOLL FREE 888.452.4053
FAX 219.879.9313

sales@msfoster.com
www.msfoster.com

ERD6-8

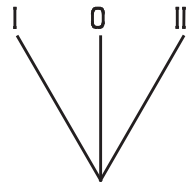
SCHEMATIC OPERATION



NOTES:

1. CONTACT CAPACITY (RESISTIVE/LAMP):
16A @ 13.5V
10A @ 27.5V
2. TERMINALS 9 & 10 ARE FOR LIGHTING.
3. THE SCHEMATIC, SWITCH FEATURES AND LIGHTING ARE COMMON BETWEEN THE 511.XXX, 512.XXX AND 516.XXX SERIES OF SWITCHES.

SWITCH OPERATION



LIGHTING	BASIC SWITCH	MOMENTARY	LOCK OFF	MOMENTARY ON LOCK OFF	LOCK ON & OFF
NONE	070 - 12V/24V				
GENERAL	071-12V 072-24V				
LOCATING	073-12V 074-24V				
LOCATING & FUNCTION					



MS FOSTER

SERVING THE TRANSPORTATION INDUSTRY

1040 Highway 212
Michigan City, IN 46360

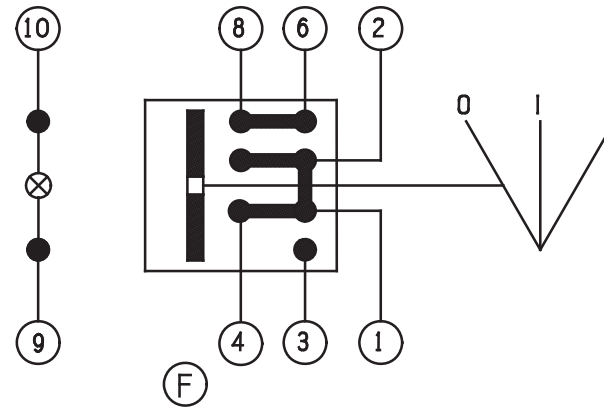
OFFICE 219.879.9225
TOLL FREE 888.452.4053
FAX 219.879.9313

sales@msfoster.com
www.msfoster.com

NOTES: UNLESS OTHERWISE SPECIFIED:

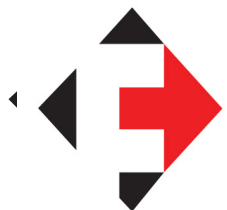
1. CONTACT CAPACITY
(RESISTIVE/LAMP):
16A @ 13.5V
10A @ 27.5V.
2. TERMINALS 9 & 10 ARE FOR LIGHTING.
3. THE SCHEMATIC, SWITCH FEATURES AND LIGHTING ARE COMMON BETWEEN THE 511.XXX, 512.XXX AND 516.XXX SERIES OF SWITCHES.

SCHEMATIC OPERATION



SWITCH OPERATION

LIGHTING	BASIC SWITCH
NONE	075 - 12V/24V
GENERAL	076-12V 077-24V
LOCATING	078-12V 079-24V
LOCATING & FUNCTION	



MS FOSTER

SERVING THE TRANSPORTATION INDUSTRY

1040 Highway 212
Michigan City, IN 46360

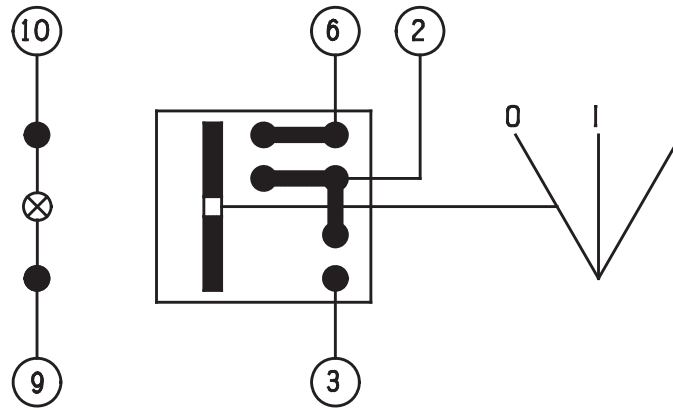
OFFICE 219.879.9225
TOLL FREE 888.452.4053
FAX 219.879.9313

sales@msfoster.com
www.msfoster.com

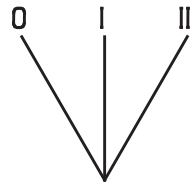
SCHEMATIC OPERATION

NOTES:

1. CONTACT CAPACITY (RESISTIVE/LAMP):
16A @ 13.5V
10A @ 27.5V
2. TERMINALS 9 & 10 ARE FOR LIGHTING.
3. THE SCHEMATIC SWITCH FEATURES AND LIGHTING ARE COMMON BETWEEN THE 511.XXX, 512.XXX AND 516.XXX SERIES OF SWITCHES.



SWITCH OPERATION



LIGHTING	BASIC SWITCH	MOMENTARY	LOCK OFF	MOMENTARY ON LOCK OFF	LOCK ON & OFF
NONE	080 - 12V/24V				
GENERAL	081-12V 082-24V				
LOCATING	083-12V 084-24V				
LOCATING & FUNCTION	209-12V 210-24V				



MS FOSTER

SERVING THE TRANSPORTATION INDUSTRY

1040 Highway 212
Michigan City, IN 46360

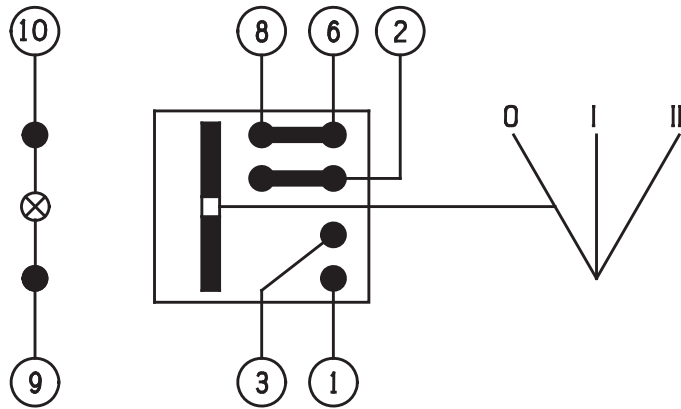
OFFICE 219.879.9225
TOLL FREE 888.452.4053
FAX 219.879.9313

sales@msfoster.com
www.msfoster.com

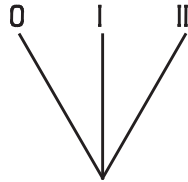
SCHMATIC OPERATION

NOTES:

1. CONTACT CAPACITY (RESISTIVE/LAMP):
16A @ 13.5V
10A @ 27.5V
2. TERMINALS 9 & 10 ARE FOR LIGHTING.
3. THE SCHEMATIC, SWITCH FEATURES AND LIGHTING ARE COMMON BETWEEN THE 511.XXX, 512.XXX AND 516.XXX SERIES OF SWITCHES.



SWITCH OPERATION



LIGHTING	BASIC SWITCH	MOMENTARY	LOCK OFF	MOMENTARY ON LOCK OFF	LOCK ON & OFF
NONE	085 - 12V/24V				
GENERAL	086-12V 087-24V				
LOCATING	088-12V 089-24V				
LOCATING & FUNCTION	138-12V 137-24V				



MS FOSTER

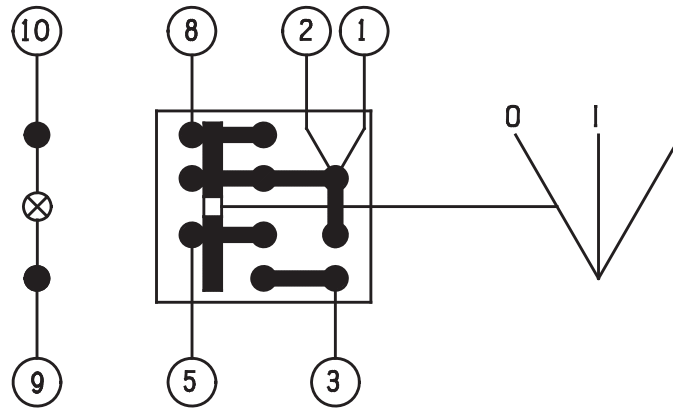
SERVING THE TRANSPORTATION INDUSTRY

1040 Highway 212
Michigan City, IN 46360

OFFICE 219.879.9225
TOLL FREE 888.452.4053
FAX 219.879.9313

sales@msfoster.com
www.msfoster.com

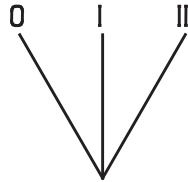
SCHEMATIC OPERATION



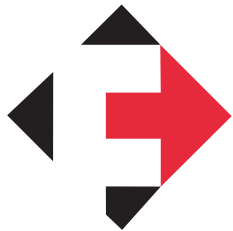
NOTES:

1. CONTACT CAPACITY (RESISTIVE/LAMP):
16A @ 13.5V
10A @ 27.5V
2. TERMINALS 9 & 10 ARE FOR LIGHTING.
3. THE SCHEMATIC, SWITCH FEATURES AND LIGHTING ARE COMMON BETWEEN THE 511.XXX, 512.XXX AND 516.XXX SERIES OF SWITCHES.

SWITCH OPERATION



LIGHTING	BASIC SWITCH	MOMENTARY	LOCK OFF	MOMENTARY ON LOCK OFF	LOCK ON & OFF
NONE	095 - 12V/24V				
GENERAL	096-12V 097-24V				
LOCATING	098-12V 099-24V				
LOCATING & FUNCTION	711-12V 712-24V				



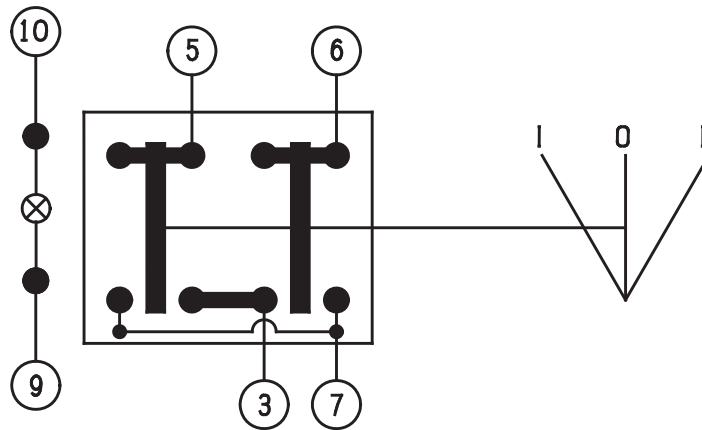
M. S. Foster & Associates, Inc.

1866 N. Country Lane, Michigan City, IN 46360
 Phone 219-380-3266 or 219-879-9225 • Toll Free 888-452-4053
 Fax 219-879-9313 • email: sales@msfoster.com
 www.msfoster.com

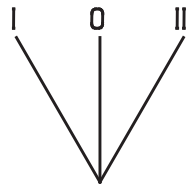
SCHMATIC OPERATION

NOTES:

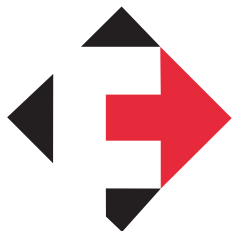
1. CONTACT CAPACITY (RESISTIVE/LAMP):
16A @ 13.5V
10A @ 27.5V
2. TERMINALS 9 & 10 ARE FOR LIGHTING.
3. THE SCHEMATIC, SWITCH FEATURES AND LIGHTING ARE COMMON BETWEEN THE 511.XXX, 512.XXX AND 516.XXX SERIES OF SWITCHES.



SWITCH OPERATION



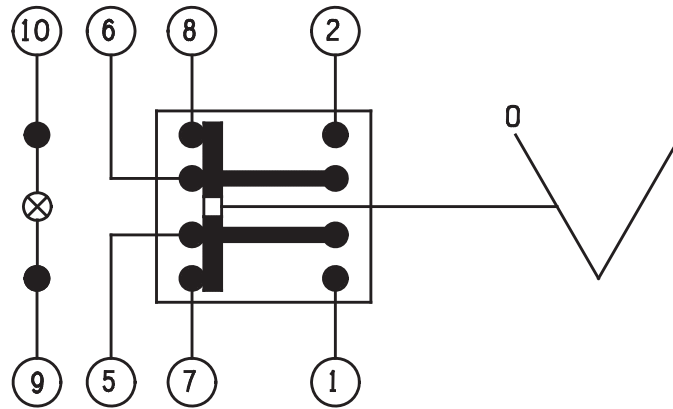
LIGHTING	BASIC SWITCH	MOMENTARY	LOCK OFF	MOMENTARY ON LOCK OFF	LOCK ON & OFF
NONE	100 - 12V/24V				
GENERAL	101-12V 102-24V				
LOCATING	103-12V 104-24V				
LOCATING & FUNCTION					



M. S. Foster & Associates, Inc.

1866 N. Country Lane, Michigan City, IN 46360
 Phone 219-380-3266 or 219-879-9225 • Toll Free 888-452-4053
 Fax 219-879-9313 • email: sales@msfoster.com
 www.msfooster.com

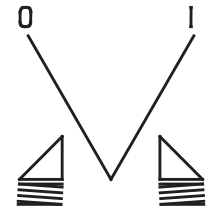
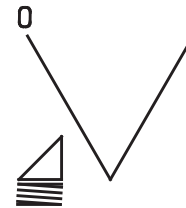
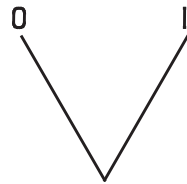
SCHEMATIC OPERATION



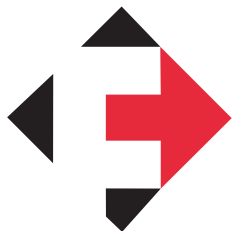
NOTES:

1. CONTACT CAPACITY (RESISTIVE/LAMP):
16A @ 13.5V
10A @ 27.5V
2. TERMINALS 9 & 10 ARE FOR LIGHTING.
3. THE SCHEMATIC SWITCH FEATURES AND LIGHTING ARE COMMON BETWEEN THE 511.XXX, 512.XXX AND 516.XXX SERIES OF SWITCHES.

SWITCH OPERATION



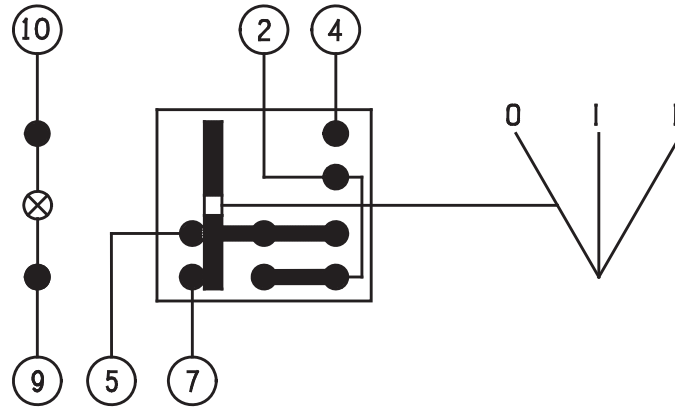
LIGHTING	BASIC SWITCH	MOMENTARY	LOCK OFF	MOMENTARY ON LOCK OFF	LOCK ON & OFF
NONE	105 - 12V/24V		233 - 12V/24V		181 - 12V/24V
GENERAL	106-12V 107-24V		234-12V 235-24V		182-12V 183-24V
LOCATING	108-12V 109-24V		236-12V 237-24V		184-12V 185-24V
LOCATING & FUNCTION	110-12V 111-24V		238-12V 239-24V		186-12V 187-24V



M. S. Foster & Associates, Inc.

1866 N. Country Lane, Michigan City, IN 46360
 Phone 219-380-3266 or 219-879-9225 • Toll Free 888-452-4053
 Fax 219-879-9313 • email: sales@msfoster.com
 www.msfoster.com

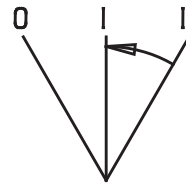
SCHMATIC OPERATION



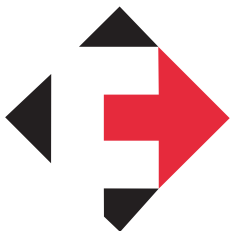
NOTES:

1. CONTACT CAPACITY (RESISTIVE/LAMP):
16A @ 13.5V
10A @ 27.5V
2. TERMINALS 9 & 10 ARE FOR LIGHTING.
3. THE SCHEMATIC, SWITCH FEATURES AND LIGHTING ARE COMMON BETWEEN THE 511.XXX, 512.XXX AND 516.XXX SERIES OF SWITCHES.

SWITCH OPERATION



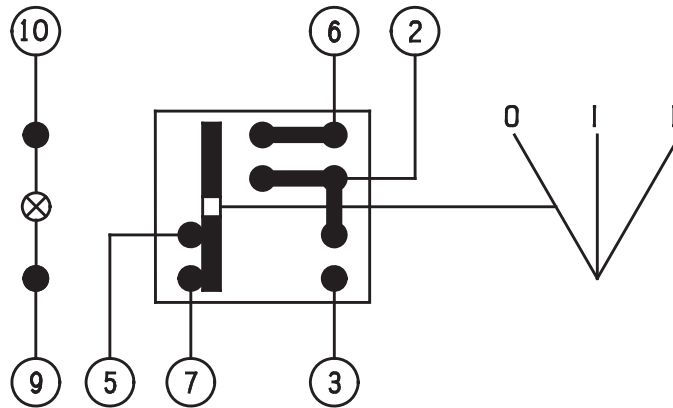
LIGHTING	BASIC SWITCH	MOMENTARY I I	LOCK OFF	MOMENTARY ON LOCK OFF	LOCK ON & OFF
NONE		112 - 12V/24V			
GENERAL		113-12V 114-24V			
LOCATING		115-12V 116-24V			
LOCATING & FUNCTION		713-12V 714-24V			



M. S. Foster & Associates, Inc.

1866 N. Country Lane, Michigan City, IN 46360
 Phone 219-380-3266 or 219-879-9225 • Toll Free 888-452-4053
 Fax 219-879-9313 • email: sales@msfoster.com
 www.msfoster.com

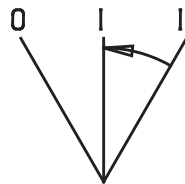
SCHMATIC OPERATION



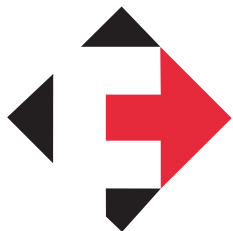
NOTES:

1. CONTACT CAPACITY (RESISTIVE/LAMP):
16A @ 13.5V
10A @ 27.5V
2. TERMINALS 9 & 10 ARE FOR LIGHTING.
3. THE SCHEMATIC, SWITCH FEATURES AND LIGHTING ARE COMMON BETWEEN THE 511.XXX, 512.XXX AND 516.XXX SERIES OF SWITCHES.

SWITCH OPERATION



LIGHTING	BASIC SWITCH	MOMENTARY I I	LOCK OFF	MOMENTARY ON LOCK OFF	LOCK ON & OFF
NONE		117 - 12V/24V			
GENERAL		118-12V 119-24V			
LOCATING		120-12V 121-24V			
LOCATING & FUNCTION					



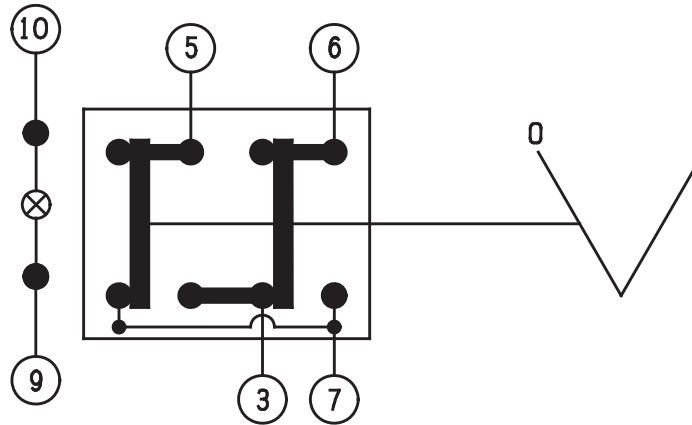
M. S. Foster & Associates, Inc.

1866 N. Country Lane, Michigan City, IN 46360
 Phone 219-380-3266 or 219-879-9225 • Toll Free 888-452-4053
 Fax 219-879-9313 • email: sales@msfoster.com
 www.msfooster.com

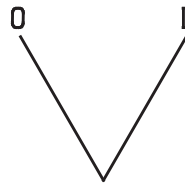
SCHMATIC OPERATION

NOTES:

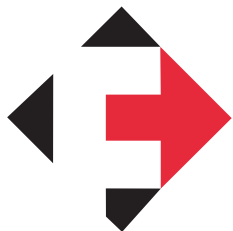
1. CONTACT CAPACITY (RESISTIVE/LAMP):
16A @ 13.5V
10A @ 27.5V
2. TERMINALS 9 & 10 ARE FOR LIGHTING.
3. THE SCHEMATIC, SWITCH FEATURES AND LIGHTING ARE COMMON BETWEEN THE 511.XXX, 512.XXX AND 516.XXX SERIES OF SWITCHES.



SWITCH OPERATION



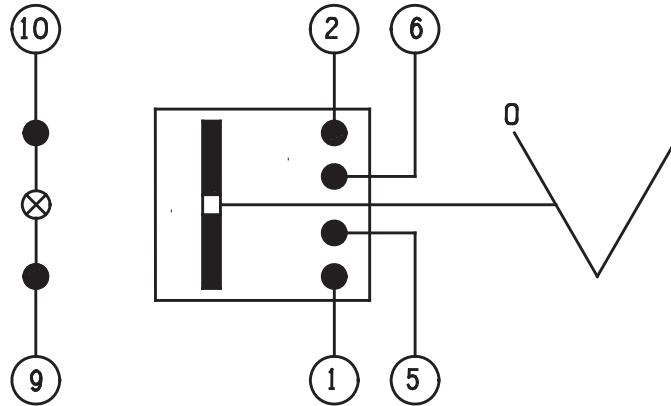
LIGHTING	BASIC SWITCH	MOMENTARY	LOCK OFF	MOMENTARY ON LOCK OFF	LOCK ON & OFF
NONE	122 - 12V/24V				
GENERAL	123-12V 124-24V				
LOCATING	125-12V 126-24V				
LOCATING & FUNCTION					



M. S. Foster & Associates, Inc.

1866 N. Country Lane, Michigan City, IN 46360
 Phone 219-380-3266 or 219-879-9225 • Toll Free 888-452-4053
 Fax 219-879-9313 • email: sales@msfoster.com
 www.msfooster.com

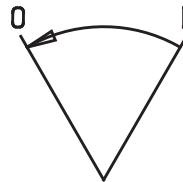
SCHMATIC OPERATION



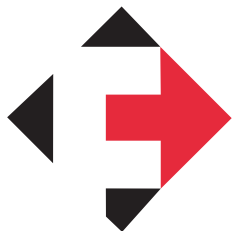
NOTES:

1. CONTACT CAPACITY (RESISTIVE/LAMP):
16A @ 13.5V
10A @ 27.5V
2. TERMINALS 9 & 10 ARE FOR LIGHTING.
3. THE SCHEMATIC, SWITCH FEATURES AND LIGHTING ARE COMMON BETWEEN THE 511.XXX, 512.XXX AND 516.XXX SERIES OF SWITCHES.

SWITCH OPERATION



LIGHTING	BASIC SWITCH	MOMENTARY	LOCK OFF	MOMENTARY ON LOCK OFF	LOCK ON & OFF
NONE		127 - 12V/24V			
GENERAL		128-12V 129-24V			
LOCATING		130-12V 131-24V			
LOCATING & FUNCTION					



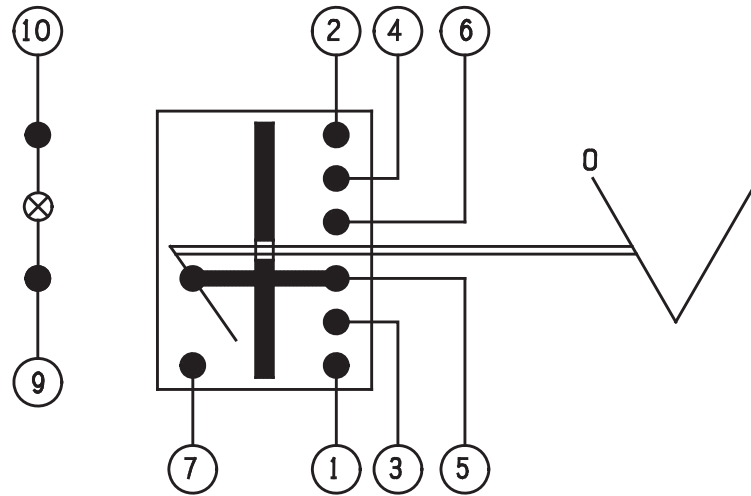
M. S. Foster & Associates, Inc.

1866 N. Country Lane, Michigan City, IN 46360
 Phone 219-380-3266 or 219-879-9225 • Toll Free 888-452-4053
 Fax 219-879-9313 • email: sales@msfoster.com
 www.msfooster.com

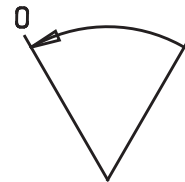
SCHMATIC OPERATION

NOTES:

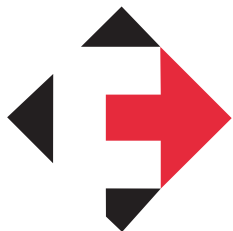
1. CONTACT CAPACITY (RESISTIVE/LAMP):
16A @ 13.5V
10A @ 27.5V
2. TERMINALS 9 & 10 ARE FOR LIGHTING.
3. THE SCHEMATIC, SWITCH FEATURES AND LIGHTING ARE COMMON BETWEEN THE 511.XXX, 512.XXX AND 516.XXX SERIES OF SWITCHES.



SWITCH OPERATION



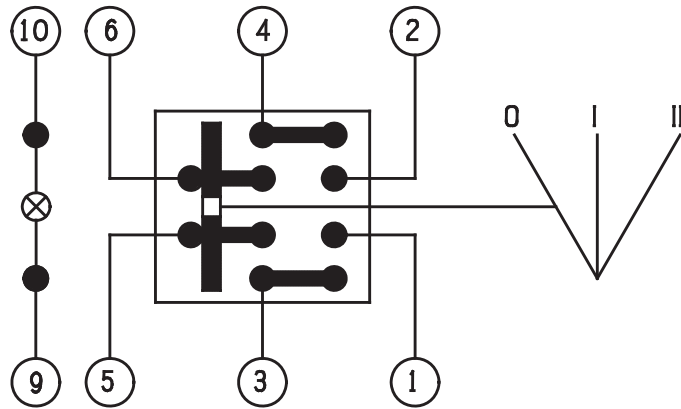
LIGHTING	BASIC SWITCH	MOMENTARY	LOCK OFF	MOMENTARY ON LOCK OFF	LOCK ON & OFF
NONE		132 - 12V/24V			
GENERAL		133-12V 134-24V			
LOCATING		135-12V 136-24V			
LOCATING & FUNCTION					



M. S. Foster & Associates, Inc.

1866 N. Country Lane, Michigan City, IN 46360
 Phone 219-380-3266 or 219-879-9225 • Toll Free 888-452-4053
 Fax 219-879-9313 • email: sales@msfoster.com
 www.msfooster.com

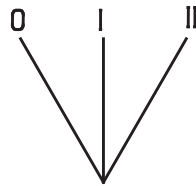
SCHMATIC OPERATION



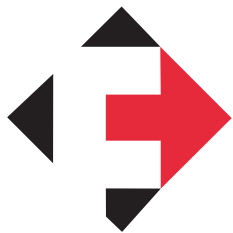
NOTES:

1. CONTACT CAPACITY (RESISTIVE/LAMP):
16A @ 13.5V
10A @ 27.5V
2. TERMINALS 9 & 10 ARE FOR LIGHTING.
3. THE SCHEMATIC, SWITCH FEATURES AND LIGHTING ARE COMMON BETWEEN THE 511.XXX, 512.XXX AND 516.XXX SERIES OF SWITCHES.

SWITCH OPERATION



LIGHTING	BASIC SWITCH	MOMENTARY	LOCK OFF	MOMENTARY ON LOCK OFF	LOCK ON & OFF
NONE	139 - 12V/24V				
GENERAL	140-12V 141-24V				
LOCATING	142-12V 143-24V				
LOCATING & FUNCTION	144-12V 145-24V				



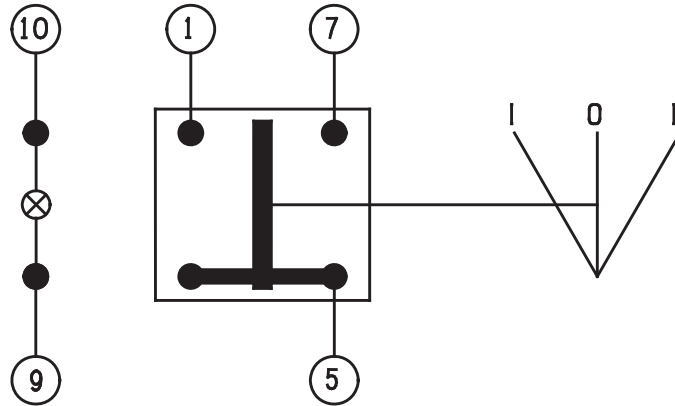
M. S. Foster & Associates, Inc.

1866 N. Country Lane, Michigan City, IN 46360
 Phone 219-380-3266 or 219-879-9225 • Toll Free 888-452-4053
 Fax 219-879-9313 • email: sales@msfoster.com
 www.msfooster.com

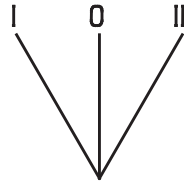
SCHEMATIC OPERATION

NOTES:

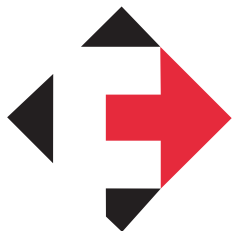
1. CONTACT CAPACITY (RESISTIVE/LAMP):
16A @ 13.5V
10A @ 27.5V
2. TERMINALS 9 & 10 ARE FOR LIGHTING.
3. THE SCHEMATIC, SWITCH FEATURES AND LIGHTING ARE COMMON BETWEEN THE 511.XXX, 512.XXX AND 516.XXX SERIES OF SWITCHES.



SWITCH OPERATION



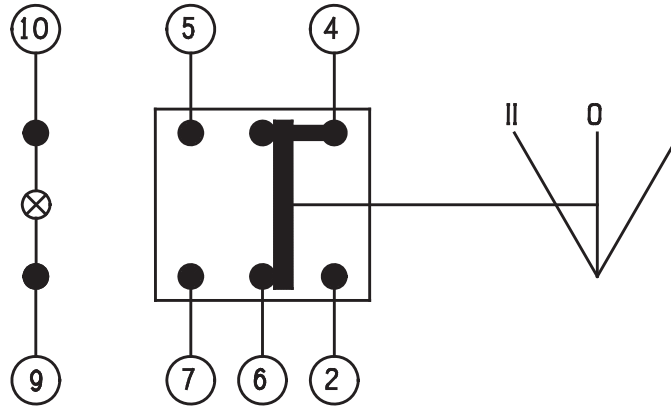
LIGHTING	BASIC SWITCH	MOMENTARY	LOCK OFF	MOMENTARY ON LOCK OFF	LOCK ON & OFF
NONE	146 - 12V/24V				
GENERAL	147-12V 148-24V				
LOCATING	149-12V 150-24V				
LOCATING & FUNCTION					



M. S. Foster & Associates, Inc.

1866 N. Country Lane, Michigan City, IN 46360
 Phone 219-380-3266 or 219-879-9225 • Toll Free 888-452-4053
 Fax 219-879-9313 • email: sales@msfoster.com
 www.msfooster.com

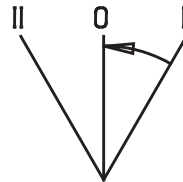
SCHEMATIC OPERATION



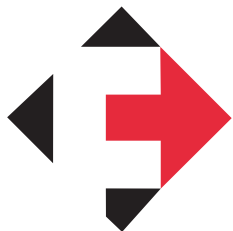
NOTES:

1. CONTACT CAPACITY (RESISTIVE/LAMP):
16A @ 13.5V
10A @ 27.5V
2. TERMINALS 9 & 10 ARE FOR LIGHTING.
3. THE SCHEMATIC, SWITCH FEATURES AND LIGHTING ARE COMMON BETWEEN THE 511.XXX, 512.XXX AND 516.XXX SERIES OF SWITCHES.

SWITCH OPERATION



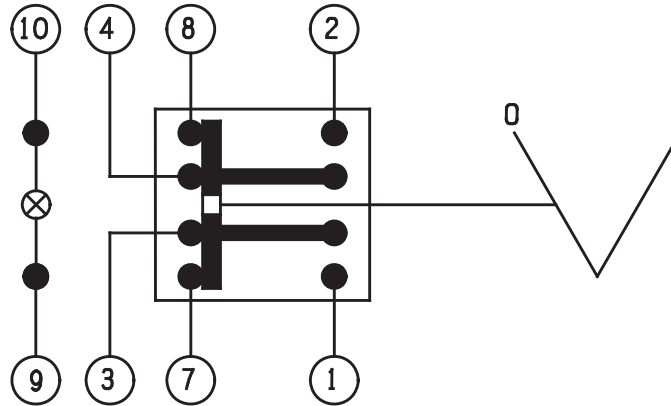
LIGHTING	BASIC SWITCH	MOMENTARY I	LOCK OFF	MOMENTARY ON LOCK OFF	LOCK ON & OFF
NONE		151 - 12V/24V			
GENERAL		152-12V 153-24V			
LOCATING		154-12V 155-24V			
LOCATING & FUNCTION					



M. S. Foster & Associates, Inc.

1866 N. Country Lane, Michigan City, IN 46360
 Phone 219-380-3266 or 219-879-9225 • Toll Free 888-452-4053
 Fax 219-879-9313 • email: sales@msfoster.com
 www.msfooster.com

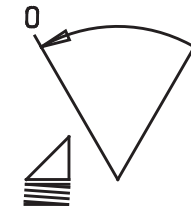
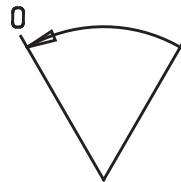
SCHMATIC OPERATION



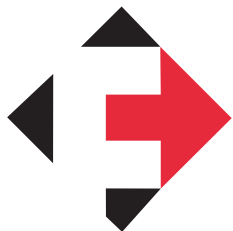
NOTES:

1. CONTACT CAPACITY (RESISTIVE/LAMP):
16A @ 13.5V
10A @ 27.5V
2. TERMINALS 9 & 10 ARE FOR LIGHTING.
3. THE SCHEMATIC, SWITCH FEATURES AND LIGHTING ARE COMMON BETWEEN THE 511.XXX, 512.XXX AND 516.XXX SERIES OF SWITCHES.

SWITCH OPERATION



LIGHTING	BASIC SWITCH	MOMENTARY I	LOCK OFF	MOMENTARY I LOCK OFF	LOCK ON & OFF
NONE		197 - 12V/24V		291 - 12V/24V	
GENERAL		198-12V 199-24V		292-12V 293-24V	
LOCATING		200-12V 201-24V		294-12V 295-24V	
LOCATING & FUNCTION					



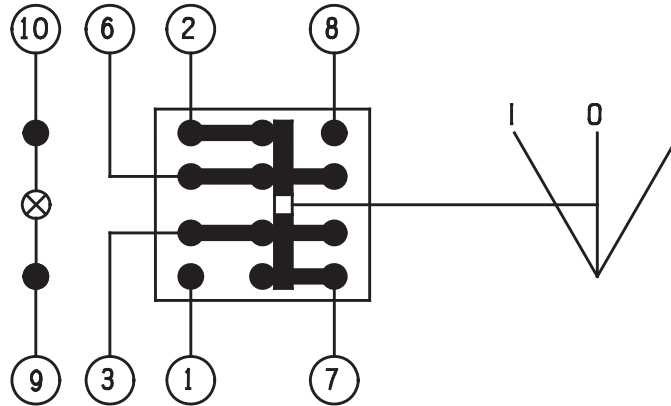
M. S. Foster & Associates, Inc.

1866 N. Country Lane, Michigan City, IN 46360
 Phone 219-380-3266 or 219-879-9225 • Toll Free 888-452-4053
 Fax 219-879-9313 • email: sales@msfoster.com
 www.msfooster.com

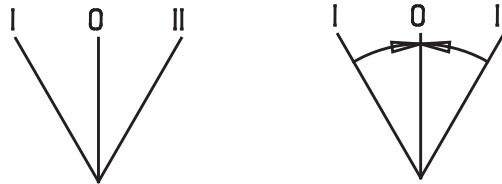
SCHMATIC OPERATION

NOTES:

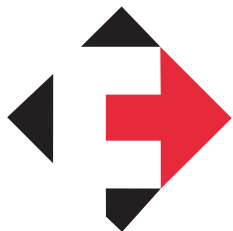
1. CONTACT CAPACITY (RESISTIVE/LAMP):
16A @ 13.5V
10A @ 27.5V
2. TERMINALS 9 & 10 ARE FOR LIGHTING.
3. THE SCHEMATIC, SWITCH FEATURES AND LIGHTING ARE COMMON BETWEEN THE 511.XXX, 512.XXX AND 516.XXX SERIES OF SWITCHES.



SWITCH OPERATION



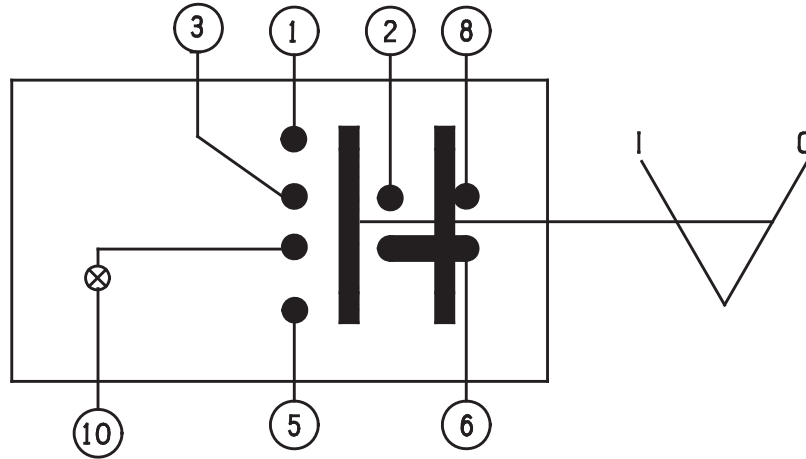
LIGHTING	BASIC SWITCH	MOMENTARY I & II	LOCK OFF	MOMENTARY ON LOCK OFF	LOCK ON & OFF
NONE	700 - 12V/24V	211 - 12V/24V			
GENERAL	701-12V 702-24V	212-12V 213-24V			
LOCATING	703-12V 704-24V	214-12V 215-24V			
LOCATING & FUNCTION	705-12V 706-24V	216-12V 217-24V			



M. S. Foster & Associates, Inc.

1866 N. Country Lane, Michigan City, IN 46360
 Phone 219-380-3266 or 219-879-9225 • Toll Free 888-452-4053
 Fax 219-879-9313 • email: sales@msfoster.com
 www.msfooster.com

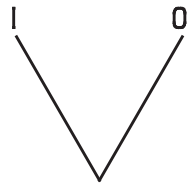
SCHMATIC OPERATION



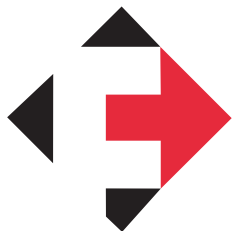
NOTES:

1. CONTACT CAPACITY (RESISTIVE/LAMP):
16A @ 13.5V
10A @ 27.5V
2. TERMINALS 9 & 10 ARE FOR LIGHTING.
3. THE SCHEMATIC, SWITCH FEATURES AND LIGHTING ARE COMMON BETWEEN THE 511.XXX, 512.XXX AND 516.XXX SERIES OF SWITCHES.

SWITCH OPERATION



LIGHTING	BASIC SWITCH	MOMENTARY	LOCK OFF	MOMENTARY ON LOCK OFF	LOCK ON & OFF
NONE					
GENERAL					
LOCATING					
LOCATING & FUNCTION	190-12V 191-24V				



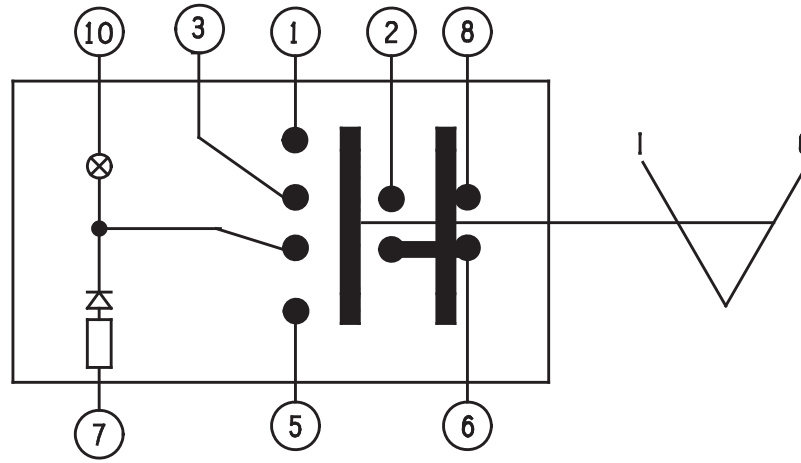
M. S. Foster & Associates, Inc.

1866 N. Country Lane, Michigan City, IN 46360
 Phone 219-380-3266 or 219-879-9225 • Toll Free 888-452-4053
 Fax 219-879-9313 • email: sales@msfoster.com
 www.msfooster.com

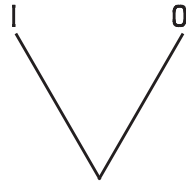
SCHMATIC OPERATION

NOTES:

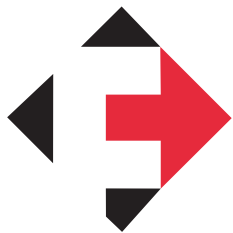
1. CONTACT CAPACITY (RESISTIVE/LAMP):
16A @ 13.5V
10A @ 27.5V
2. TERMINALS 9 & 10 ARE FOR LIGHTING.
3. THE SCHEMATIC, SWITCH FEATURES AND LIGHTING ARE COMMON BETWEEN THE 511.XXX, 512.XXX AND 516.XXX SERIES OF SWITCHES.



SWITCH OPERATION



LIGHTING	BASIC SWITCH	MOMENTARY I	LOCK OFF	MOMENTARY I LOCK OFF	LOCK ON & OFF
NONE					
GENERAL					
LOCATING					
LOCATING & FUNCTION	192-12V 193-24V				



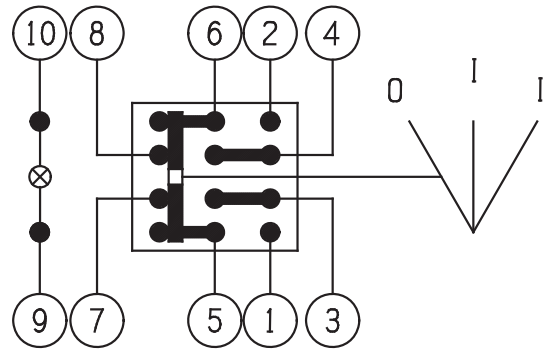
M. S. Foster & Associates, Inc.

1866 N. Country Lane, Michigan City, IN 46360
 Phone 219-380-3266 or 219-879-9225 • Toll Free 888-452-4053
 Fax 219-879-9313 • email: sales@msfoster.com
 www.msfooster.com

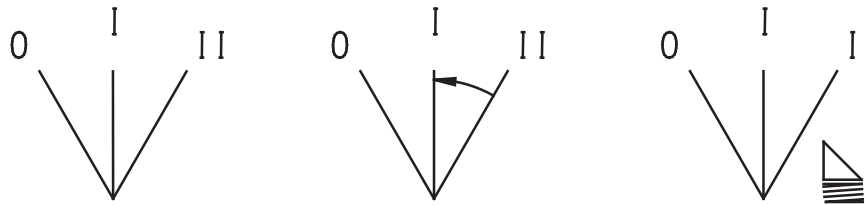
NOTES:

1. CONTACT CAPACITY (RESISTIVE/LAMP):
16A @ 13.5V, 8A @ 27.5V
2. TERMINALS 9 & 10 ARE FOR LIGHTING.
3. THE SCHEMATIC, SWITCH FEATURES, AND LIGHTING ARE COMMON BETWEEN THE 511.XXX, 512.XXX AND 516.XXX SERIES OF SWITCHES.

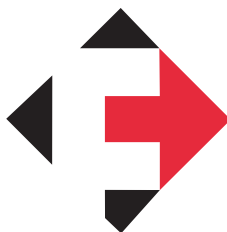
SCHEMATIC OPERATION



SWITCH OPERATION



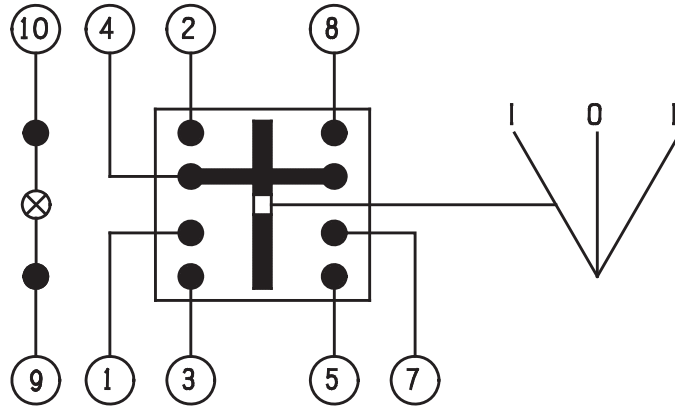
LIGHTING	BASIC SWITCH	MOMENTARY I-II	LOCK OFF I-II
NONE	090 - 12V/24V		727 - 12V/24V
GENERAL	091-12V 092-24V		728-12V 729-24V
LOCATION	093-12V 094-24V		730-12V 731-24V
LOCATION & FUNCTION	709-12V 710-24V		



M. S. Foster & Associates, Inc.

1866 N. Country Lane, Michigan City, IN 46360
 Phone 219-380-3266 or 219-879-9225 • Toll Free 888-452-4053
 Fax 219-879-9313 • email: sales@msfoster.com
 www.msfooster.com

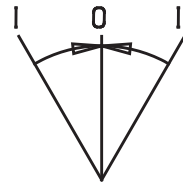
SCHMATIC OPERATION



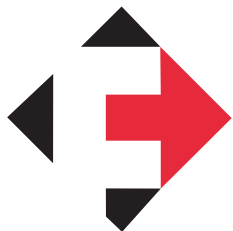
NOTES:

1. CONTACT CAPACITY (RESISTIVE/LAMP):
16A @ 13.5V
10A @ 27.5V
2. TERMINALS 9 & 10 ARE FOR LIGHTING.
3. THE SCHEMATIC, SWITCH FEATURES AND LIGHTING ARE COMMON BETWEEN THE 511.XXX, 512.XXX AND 516.XXX SERIES OF SWITCHES.

SWITCH OPERATION



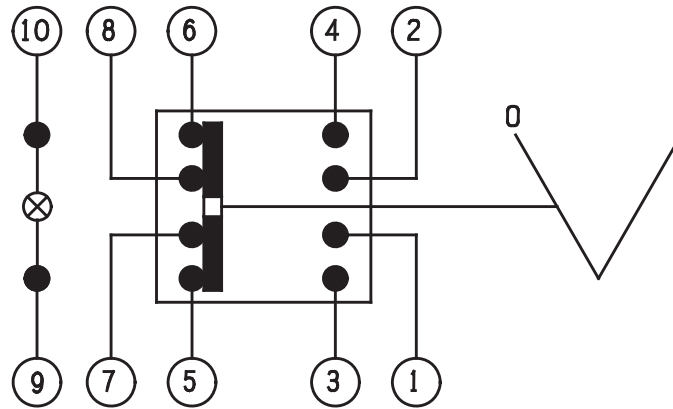
LIGHTING	BASIC SWITCH	MOMENTARY I-II	LOCK OFF	MOMENTARY ON LOCK OFF	LOCK ON & OFF
NONE		255 - 12V/24V			
GENERAL		256-12V 257-24V			
LOCATING		258-12V 259-24V			
LOCATING & FUNCTION		260-12V 261-24V			



M. S. Foster & Associates, Inc.

1866 N. Country Lane, Michigan City, IN 46360
 Phone 219-380-3266 or 219-879-9225 • Toll Free 888-452-4053
 Fax 219-879-9313 • email: sales@msfoster.com
 www.msfooster.com

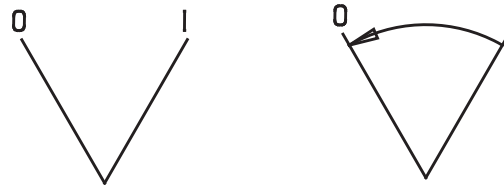
SCHMATIC OPERATION



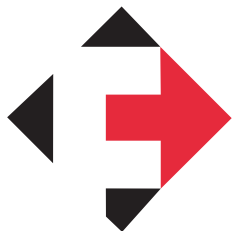
NOTES:

1. CONTACT CAPACITY (RESISTIVE/LAMP):
16A @ 13.5V
10A @ 27.5V
2. TERMINALS 9 & 10 ARE FOR LIGHTING.
3. THE SCHEMATIC, SWITCH FEATURES AND LIGHTING ARE COMMON BETWEEN THE 511.XXX, 512.XXX AND 516.XXX SERIES OF SWITCHES.

SWITCH OPERATION



LIGHTING	BASIC SWITCH	MOMENTARY I	LOCK OFF	MOMENTARY I LOCK OFF	LOCK ON & OFF
NONE	271 - 12V/24V	279 - 12V/24V			
GENERAL	272-12V 273-24V	280-12V 281-24V			
LOCATING	274-12V 275-24V	282-12V 283-24V			
LOCATING & FUNCTION	276-12V 277-24V	284-12V 285-24V			



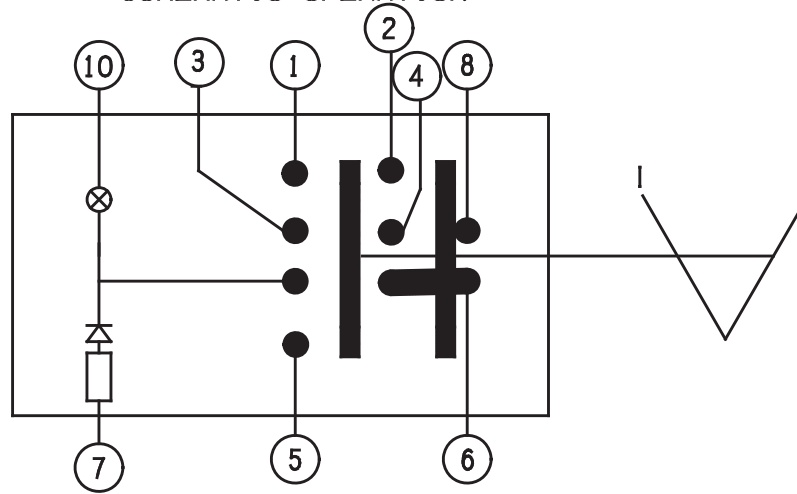
M. S. Foster & Associates, Inc.

1866 N. Country Lane, Michigan City, IN 46360
 Phone 219-380-3266 or 219-879-9225 • Toll Free 888-452-4053
 Fax 219-879-9313 • email: sales@msfoster.com
 www.msfooster.com

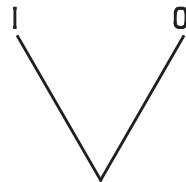
NOTES:

1. CONTACT CAPACITY (RESISTIVE/LAMP):
16A @ 13.5V
10A @ 27.5V
2. TERMINALS 9 & 10 ARE FOR LIGHTING.
3. THE SCHEMATIC, SWITCH FEATURES AND LIGHTING ARE COMMON BETWEEN THE 511.XXX, 512.XXX AND 516.XXX SERIES OF SWITCHES.

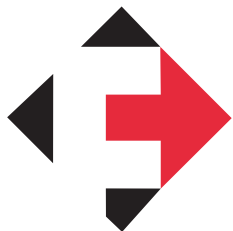
SCHEMATIC OPERATION



SWITCH OPERATION



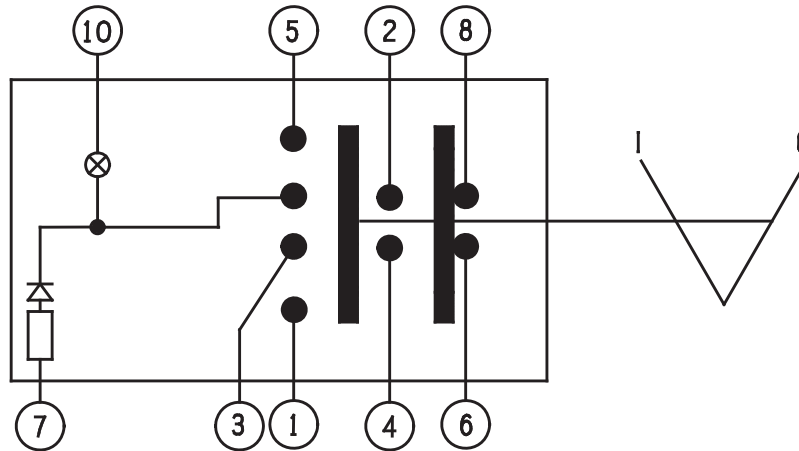
LIGHTING	BASIC SWITCH	MOMENTARY	LOCK OFF	MOMENTARY ON LOCK OFF	LOCK ON & OFF
NONE					
GENERAL					
LOCATING					
LOCATING & FUNCTION	299-24V				



M. S. Foster & Associates, Inc.

1866 N. Country Lane, Michigan City, IN 46360
 Phone 219-380-3266 or 219-879-9225 • Toll Free 888-452-4053
 Fax 219-879-9313 • email: sales@msfoster.com
 www.msfooster.com

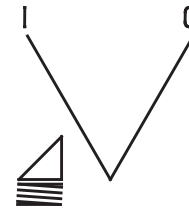
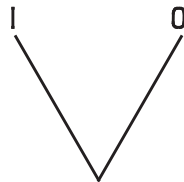
SCHMATIC OPERATION



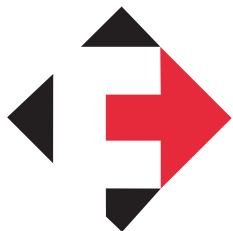
NOTES:

1. CONTACT CAPACITY (RESISTIVE/LAMP):
16A @ 13.5V
10A @ 27.5V
2. TERMINALS 9 & 10 ARE FOR LIGHTING.
3. THE SCHEMATIC, SWITCH FEATURES AND LIGHTING ARE COMMON BETWEEN THE 511.XXX, 512.XXX AND 516.XXX SERIES OF SWITCHES.

SWITCH OPERATION



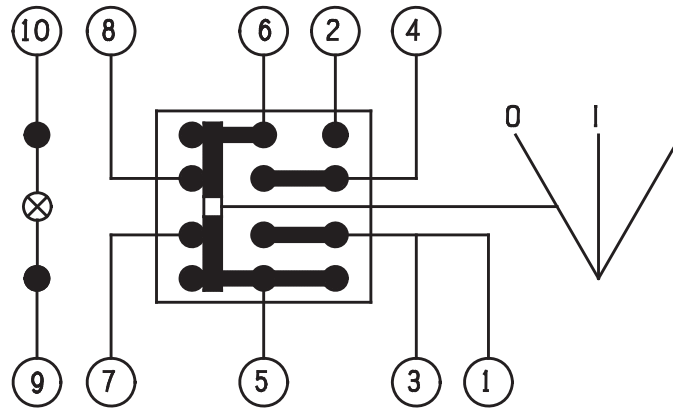
LIGHTING	BASIC SWITCH	MOMENTARY	LOCK OFF	MOMENTARY ON LOCK OFF	LOCK ON & OFF
NONE					
GENERAL					
LOCATING					
LOCATING & FUNCTION	194-12V 195-24V		278-24V		



M. S. Foster & Associates, Inc.

1866 N. Country Lane, Michigan City, IN 46360
 Phone 219-380-3266 or 219-879-9225 • Toll Free 888-452-4053
 Fax 219-879-9313 • email: sales@msfoster.com
 www.msfooster.com

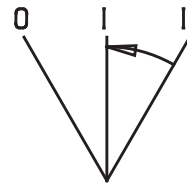
SCHMATIC OPERATION



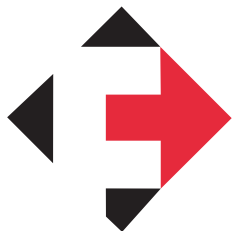
NOTES:

1. CONTACT CAPACITY (RESISTIVE/LAMP):
16A @ 13.5V
10A @ 27.5V
2. TERMINALS 9 & 10 ARE FOR LIGHTING.
3. THE SCHEMATIC, SWITCH FEATURES AND LIGHTING ARE COMMON BETWEEN THE 511.XXX, 512.XXX AND 516.XXX SERIES OF SWITCHES.

SWITCH OPERATION



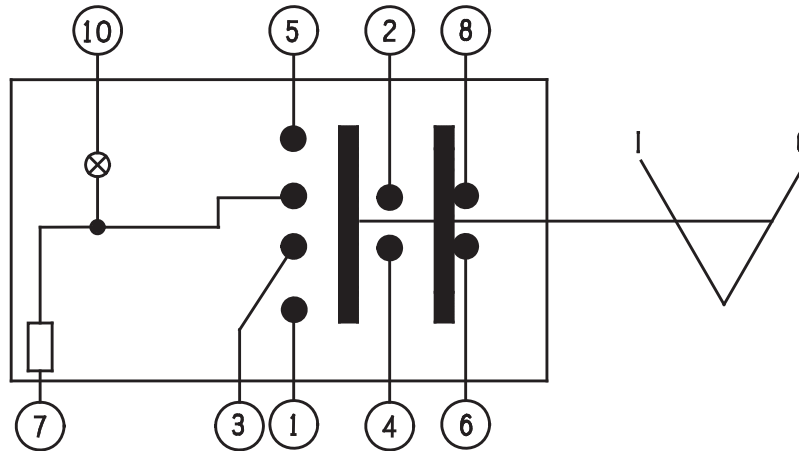
LIGHTING	BASIC SWITCH	MOMENTARY I-II	LOCK OFF	MOMENTARY ON LOCK OFF	LOCK ON & OFF
NONE		715 - 12V/24V			
GENERAL		716 - 12V 717-24V			
LOCATING		718 - 12V 719-24V			
LOCATING & FUNCTION		720 - 12V 721-24V			



M. S. Foster & Associates, Inc.

1866 N. Country Lane, Michigan City, IN 46360
 Phone 219-380-3266 or 219-879-9225 • Toll Free 888-452-4053
 Fax 219-879-9313 • email: sales@msfoster.com
 www.msfooster.com

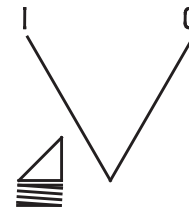
SCHMATIC OPERATION



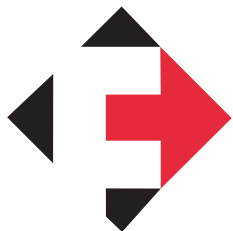
NOTES:

1. CONTACT CAPACITY (RESISTIVE/LAMP):
16A @ 13.5V
10A @ 27.5V
2. TERMINALS 9 & 10 ARE FOR LIGHTING.
3. THE SCHEMATIC, SWITCH FEATURES AND LIGHTING ARE COMMON BETWEEN THE 511.XXX, 512.XXX AND 516.XXX SERIES OF SWITCHES.

SWITCH OPERATION



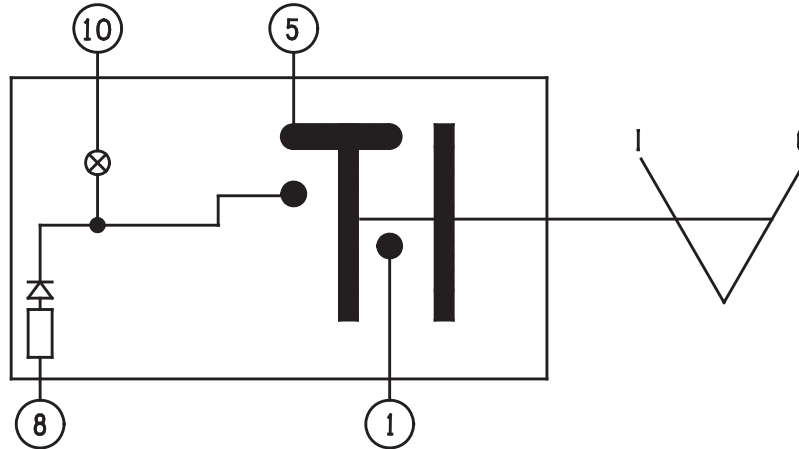
LIGHTING	BASIC SWITCH	MOMENTARY	LOCK OFF	MOMENTARY ON LOCK OFF	LOCK ON & OFF
NONE					
GENERAL					
LOCATING					
LOCATING & FUNCTION			189-24V		



M. S. Foster & Associates, Inc.

1866 N. Country Lane, Michigan City, IN 46360
 Phone 219-380-3266 or 219-879-9225 • Toll Free 888-452-4053
 Fax 219-879-9313 • email: sales@msfoster.com
 www.msfooster.com

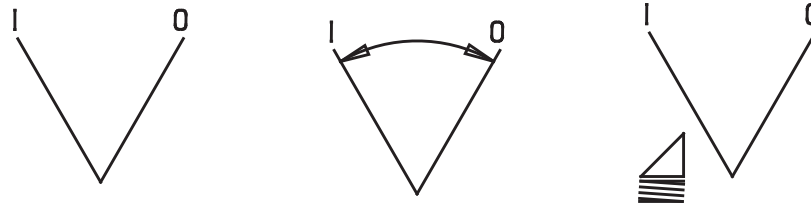
SCHEMATIC OPERATION



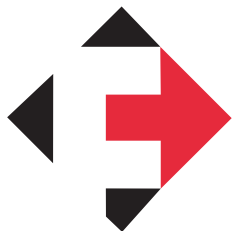
NOTES:

1. CONTACT CAPACITY (RESISTIVE/LAMP):
16A @ 13.5V
10A @ 27.5V
2. TERMINALS 9 & 10 ARE FOR LIGHTING.
3. THE SCHEMATIC, SWITCH FEATURES AND LIGHTING ARE COMMON BETWEEN THE 511.XXX, 512.XXX AND 516.XXX SERIES OF SWITCHES.

SWITCH OPERATION



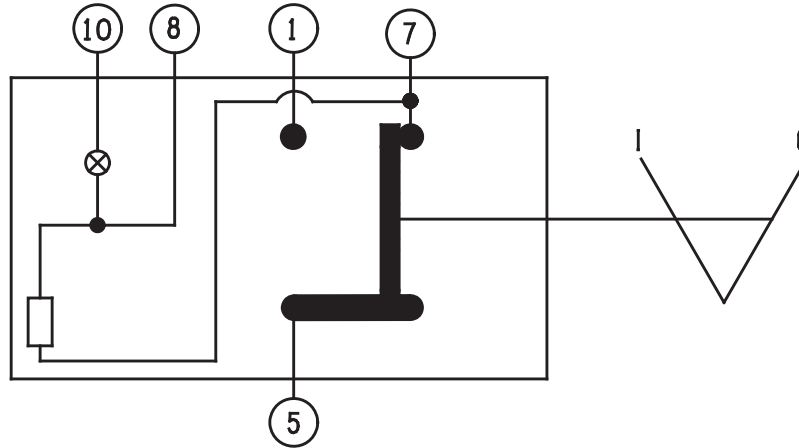
LIGHTING	BASIC SWITCH	MOMENTARY	LOCK OFF	MOMENTARY ON LOCK OFF	LOCK ON & OFF
NONE					
GENERAL					
LOCATING					
LOCATING & FUNCTION	218-24V	220-24V	219-24V		



M. S. Foster & Associates, Inc.

1866 N. Country Lane, Michigan City, IN 46360
 Phone 219-380-3266 or 219-879-9225 • Toll Free 888-452-4053
 Fax 219-879-9313 • email: sales@msfoster.com
 www.msfooster.com

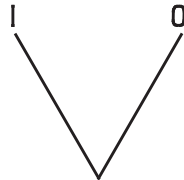
SCHMATIC OPERATION



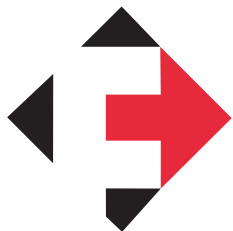
NOTES:

1. CONTACT CAPACITY (RESISTIVE/LAMP):
16A @ 13.5V
10A @ 27.5V
2. TERMINALS 9 & 10 ARE FOR LIGHTING.
3. THE SCHEMATIC, SWITCH FEATURES AND LIGHTING ARE COMMON BETWEEN THE 511.XXX, 512.XXX AND 516.XXX SERIES OF SWITCHES.

SWITCH OPERATION



LIGHTING	BASIC SWITCH	MOMENTARY	LOCK OFF	MOMENTARY ON LOCK OFF	LOCK ON & OFF
NONE					
GENERAL					
LOCATING					
LOCATING & FUNCTION	247-12V				



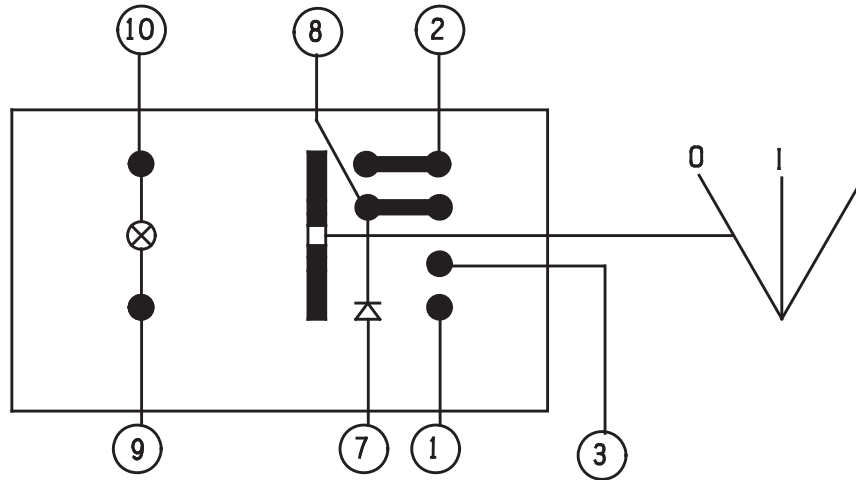
M. S. Foster & Associates, Inc.

1866 N. Country Lane, Michigan City, IN 46360
 Phone 219-380-3266 or 219-879-9225 • Toll Free 888-452-4053
 Fax 219-879-9313 • email: sales@msfoster.com
 www.msfoster.com

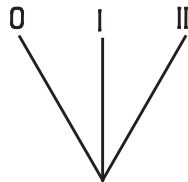
SCHMATIC OPERATION

NOTES:

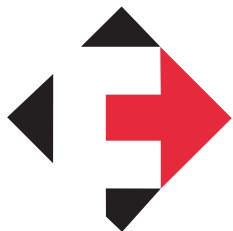
1. CONTACT CAPACITY (RESISTIVE/LAMP):
16A @ 13.5V
10A @ 27.5V
2. TERMINALS 9 & 10 ARE FOR LIGHTING.
3. THE SCHEMATIC, SWITCH FEATURES AND LIGHTING ARE COMMON BETWEEN THE 511.XXX, 512.XXX AND 516.XXX SERIES OF SWITCHES.



SWITCH OPERATION



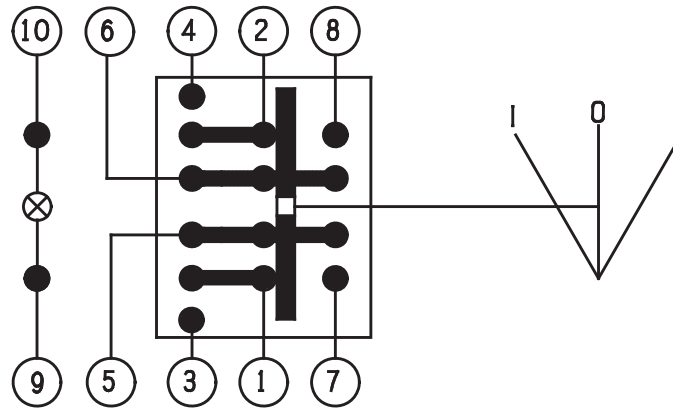
LIGHTING	BASIC SWITCH	MOMENTARY	LOCK OFF	MOMENTARY I LOCK OFF	LOCK ON & OFF
NONE					
GENERAL					
LOCATING					
LOCATING & FUNCTION	249-24V				



M. S. Foster & Associates, Inc.

1866 N. Country Lane, Michigan City, IN 46360
 Phone 219-380-3266 or 219-879-9225 • Toll Free 888-452-4053
 Fax 219-879-9313 • email: sales@msfoster.com
 www.msfooster.com

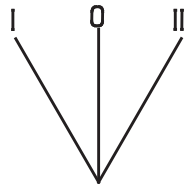
SCHEMATIC OPERATION



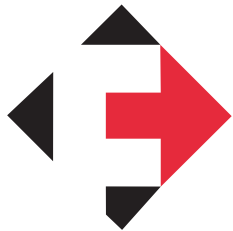
NOTES:

1. CONTACT CAPACITY (RESISTIVE/LAMP):
16A @ 13.5V
10A @ 27.5V
2. TERMINALS 9 & 10 ARE FOR LIGHTING.
3. THE SCHEMATIC, SWITCH FEATURES AND LIGHTING ARE COMMON BETWEEN THE 511.XXX, 512.XXX AND 516.XXX SERIES OF SWITCHES.

SWITCH OPERATION



LIGHTING	BASIC SWITCH	MOMENTARY	LOCK OFF	MOMENTARY I LOCK OFF	LOCK ON & OFF
NONE	732 - 12V/24V				
GENERAL	733-12V 734-24V				
LOCATING	735-12V 736-24V				
LOCATING & FUNCTION	737-12V 738-24V				



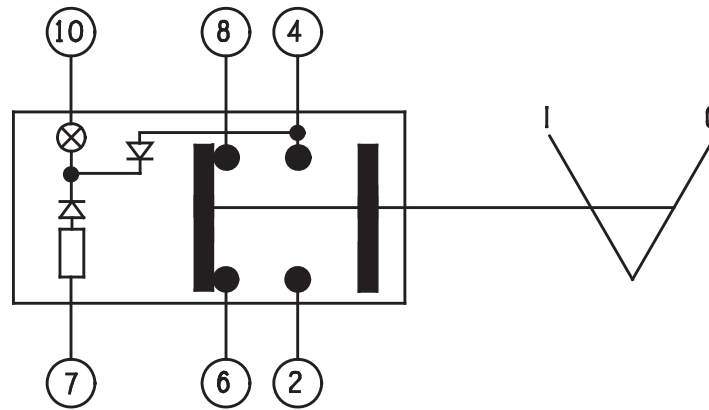
M. S. Foster & Associates, Inc.

1866 N. Country Lane, Michigan City, IN 46360
 Phone 219-380-3266 or 219-879-9225 • Toll Free 888-452-4053
 Fax 219-879-9313 • email: sales@msfoster.com
 www.msfooster.com

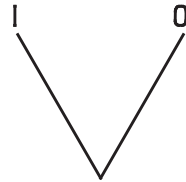
SCHEMATIC OPERATION

NOTES:

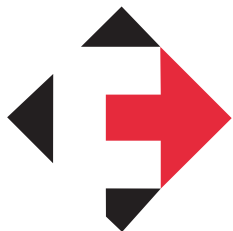
1. CONTACT CAPACITY (RESISTIVE/LAMP):
16A @ 13.5V
10A @ 27.5V
2. TERMINALS 9 & 10 ARE FOR LIGHTING.
3. THE SCHEMATIC, SWITCH FEATURES AND LIGHTING ARE COMMON BETWEEN THE 511.XXX, 512.XXX AND 516.XXX SERIES OF SWITCHES.



SWITCH OPERATION



LIGHTING	BASIC SWITCH	MOMENTARY	LOCK OFF	MOMENTARY I LOCK OFF	LOCK ON & OFF
NONE					
GENERAL					
LOCATING					
LOCATING & FUNCTION	707-24V				



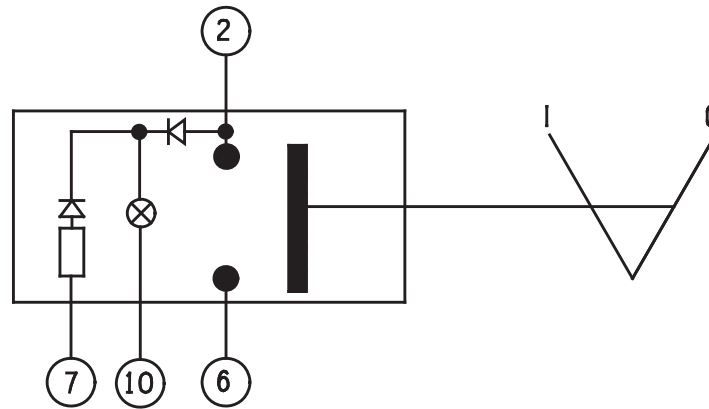
M. S. Foster & Associates, Inc.

1866 N. Country Lane, Michigan City, IN 46360
 Phone 219-380-3266 or 219-879-9225 • Toll Free 888-452-4053
 Fax 219-879-9313 • email: sales@msfoster.com
 www.msfooster.com

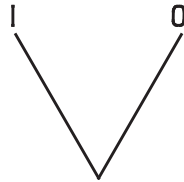
SCHEMATIC OPERATION

NOTES:

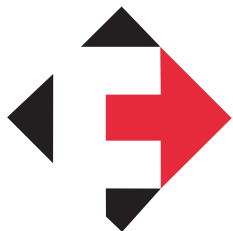
1. CONTACT CAPACITY (RESISTIVE/LAMP):
16A @ 13.5V
10A @ 27.5V
2. TERMINALS 9 & 10 ARE FOR LIGHTING.
3. THE SCHEMATIC, SWITCH FEATURES AND LIGHTING ARE COMMON BETWEEN THE 511.XXX, 512.XXX AND 516.XXX SERIES OF SWITCHES.



SWITCH OPERATION



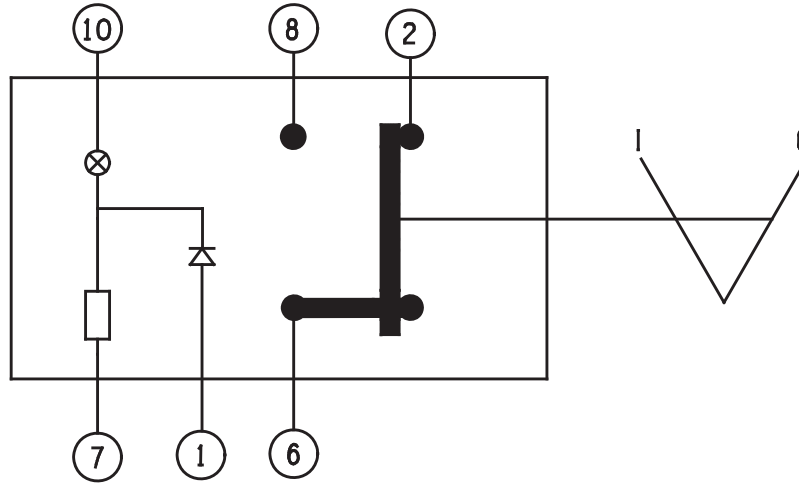
LIGHTING	BASIC SWITCH	MOMENTARY	LOCK OFF	MOMENTARY I LOCK OFF	LOCK ON & OFF
NONE					
GENERAL					
LOCATING					
LOCATING & FUNCTION	708-24V				



M. S. Foster & Associates, Inc.

1866 N. Country Lane, Michigan City, IN 46360
 Phone 219-380-3266 or 219-879-9225 • Toll Free 888-452-4053
 Fax 219-879-9313 • email: sales@msfoster.com
 www.msfooster.com

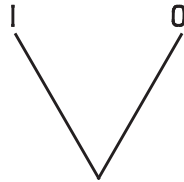
SCHMATIC OPERATION



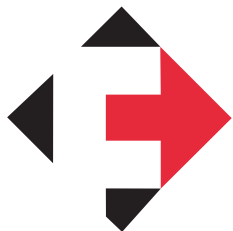
NOTES:

1. CONTACT CAPACITY (RESISTIVE/LAMP):
16A @ 13.5V
10A @ 27.5V
2. TERMINALS 9 & 10 ARE FOR LIGHTING.
3. THE SCHEMATIC, SWITCH FEATURES AND LIGHTING ARE COMMON BETWEEN THE 511.XXX, 512.XXX AND 516.XXX SERIES OF SWITCHES.

SWITCH OPERATION



LIGHTING	BASIC SWITCH	MOMENTARY	LOCK OFF	MOMENTARY ON LOCK OFF	LOCK ON & OFF
NONE					
GENERAL					
LOCATING					
LOCATING & FUNCTION	296-12V 297-24V				



M. S. Foster & Associates, Inc.

1866 N. Country Lane, Michigan City, IN 46360
 Phone 219-380-3266 or 219-879-9225 • Toll Free 888-452-4053
 Fax 219-879-9313 • email: sales@msfoster.com
 www.msfooster.com