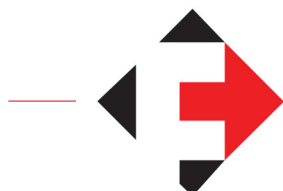


LED Safety Lights - Model 527

PRODUCT INFORMATION

Description	12-24V LED Red Zone Light
Height	123.70 mm / 4.87 in
Width	258.57 mm / 10.18 in
Depth	102.11 mm / 4.02 in
Shape	Rectangle
Outer Lens Material	Glass
Outer Lens Color	Clear
Housing Material	Xenoy
Housing Color	Black
Mounting Hardware Description	(x2) M8-1.25 Mounting Bolt
Mounting Type	Universal Pedestal Mount
Minimum Operating Temperature	-40 °C / -40 °F
Maximum Operating Temperature	65 °C / 149 °F
Connector or Wiring	Integrated 2-Pin Deutsch Weatherproof Socket (DT04-2P)
Mating Connector	Integrated 2-Pin Deutsch Weatherproof Plug (DT06-2S)
Product Weight	2.60 lbs / 1.18 kgs
Shipping Weight	5.70 lbs / 2.59 kgs
Additional Information	The dominant wavelength is about 615nm.



MS FOSTER

SERVING THE TRANSPORTATION INDUSTRY

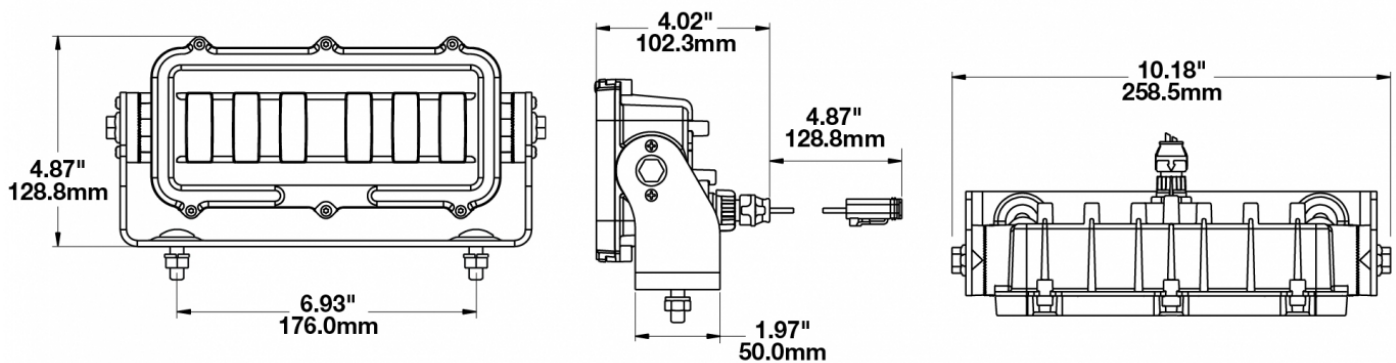
1040 Highway 212
Michigan City, IN 46360

OFFICE 219.879.9225
TOLL FREE 888.452.4053
FAX 219.879.9313

sales@msfoster.com
www.msfoster.com

LED Safety Lights - Model 527

PRODUCT DIMENSIONS



ELECTRICAL SPECIFICATIONS

Input Voltage	12-24V DC
Operating Voltage	10-32V DC
Transient Spike Protection	150V peak @ 1 HZ-100 Pulses
Red Wire	Positive
Black Wire	Negative
Current Draw	1.6A @ 12V DC 0.85A @ 24V DC

REGULATORY STANDARDS COMPLIANCE



Buy America Standards
IEC IP69K

Eco Friendly



MS FOSTER

SERVING THE TRANSPORTATION INDUSTRY

1040 Highway 212
Michigan City, IN 46360

OFFICE 219.879.9225
TOLL FREE 888.452.4053
FAX 219.879.9313

sales@msfoster.com
www.msfoster.com

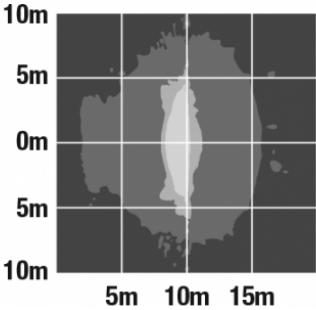
LED Safety Lights - Model 527

PHOTOMETRIC SPECIFICATIONS

Raw Lumen Output 720
 Effective Lumen Output 670
 Beam Pattern(s) Forward Lighting - Spot
 Warning - Keep Out Zone

- 10+ Lux
- 1 Lux
- 0.25 Lux

“Keep Out” Pattern (6m high at 0°)



APPLICATIONS



ACCESSORIES



Part Number
8200151
 Rock Guard Kit for
 Model 527



MS FOSTER

SERVING THE TRANSPORTATION INDUSTRY

1040 Highway 212
 Michigan City, IN 46360
 OFFICE 219.879.9225
 TOLL FREE 888.452.4053
 FAX 219.879.9313
 sales@msfoster.com
 www.msfoster.com

LED Safety Lights - Model 527

RELATED PRODUCTS



Part Number
0551261
12-24V LED White
Zone Light



Part Number
0551271
12-24V LED Green
Zone Light



Part Number
0551281
12-24V LED Amber
Zone Light



MS FOSTER
SERVING THE TRANSPORTATION INDUSTRY

1040 Highway 212
Michigan City, IN 46360

OFFICE 219.879.9225
TOLL FREE 888.452.4053
FAX 219.879.9313

sales@msfoster.com
www.msfoster.com