

# LED Backup Camera Light - Model 778 XD

## PRODUCT INFORMATION

<b>Description</b>	12-48V SAE/ECE LED Backup Camera Light
<b>Height</b>	137.16 mm / 5.4 in
<b>Width</b>	144.02 mm / 5.67 in
<b>Depth</b>	56.90 mm / 2.24 in
<b>Shape</b>	Oval
<b>Outer Lens Material</b>	Polycarbonate
<b>Outer Lens Color</b>	Clear
<b>Housing Material</b>	Polycarbonate
<b>Housing Color</b>	Black
<b>Mounting Hardware Description</b>	(x1) 5/16"-18 x 1.00" Mounting Bolt
<b>Mounting Type</b>	Universal Pedestal Mount
<b>Minimum Operating Temperature</b>	-40 °C / -40 °F
<b>Maximum Operating Temperature</b>	65 °C / 149 °F
<b>Connector or Wiring</b>	Integrated 2-Pin Deutsch Weather-Proof Socket (DT04-2P)
<b>Mating Connector</b>	2-Pin Deutsch Weather-Proof Plug (DT06-2S)
<b>Product Weight</b>	0.75 lbs / 0.34 kgs
<b>Shipping Weight</b>	6.69 lbs / 3.03 kgs



# MS FOSTER

SERVING THE TRANSPORTATION INDUSTRY

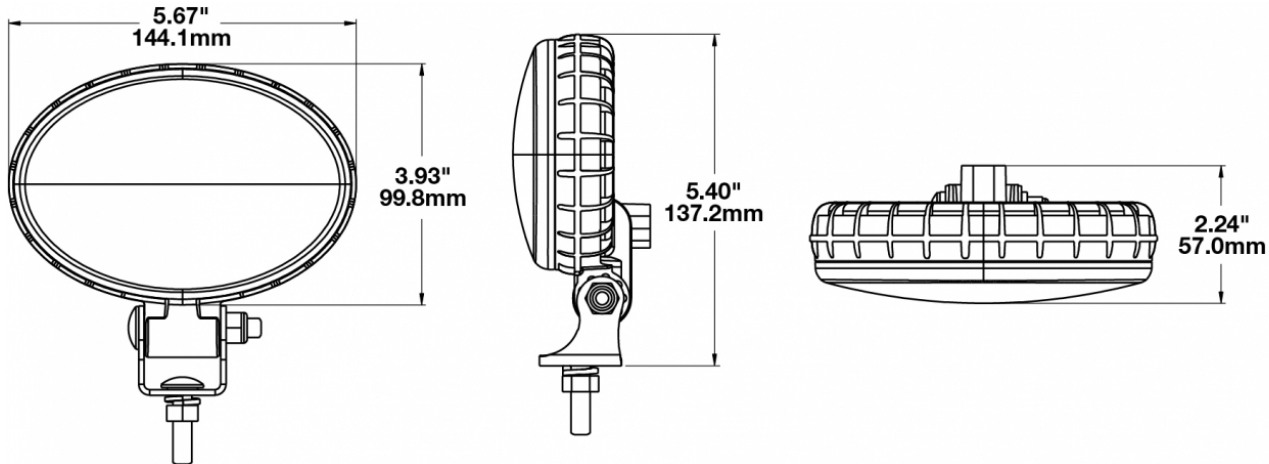
1040 Highway 212  
Michigan City, IN 46360

OFFICE 219.879.9225  
TOLL FREE 888.452.4053  
FAX 219.879.9313

sales@msfoster.com  
www.msfoster.com

# LED Backup Camera Light - Model 778 XD

## PRODUCT DIMENSIONS



## ELECTRICAL SPECIFICATIONS

<b>Input Voltage</b>	12-48V DC
<b>Operating Voltage</b>	10-55V DC
<b>Transient Spike Protection</b>	330V Peak @ 1 HZ-100 Pulses
<b>Red Wire</b>	Positive
<b>Black Wire</b>	Negative
<b>Current Draw</b>	1.00A @ 12V DC 0.48A @ 24V DC 0.33A @ 36V DC 0.25A @ 48V DC



# MS FOSTER

SERVING THE TRANSPORTATION INDUSTRY

1040 Highway 212  
Michigan City, IN 46360

OFFICE 219.879.9225  
TOLL FREE 888.452.4053  
FAX 219.879.9313

sales@msfoster.com  
www.msfoster.com

# LED Backup Camera Light - Model 778 XD

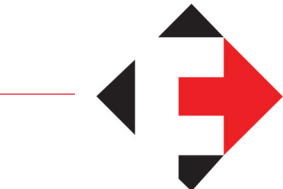
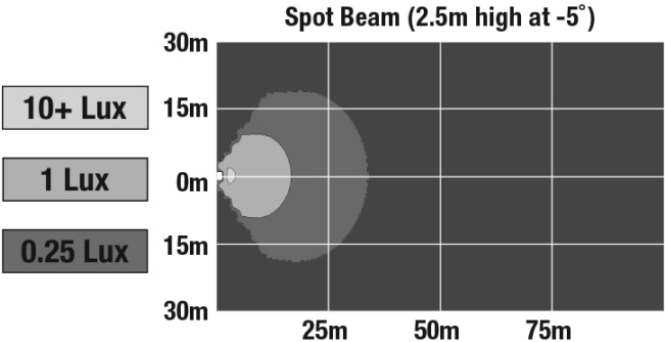
## REGULATORY STANDARDS COMPLIANCE



Buy America Standards	CISPR 12
CISPR 22	ECE Reg 23
Eco Friendly	FMVSS 108 s7.6 (Table XII)
IEC IP67	SAE J1113-13
SAE J1113-4	SAE J593
Tested to ECE Reg. 10 (Radiated Emissions only)	

## PHOTOMETRIC SPECIFICATIONS

<b>Effective Lumen Output</b>	576
<b>Candela Output</b>	275
<b>Nominal LED Color Temperature</b>	5000 K
<b>Beam Pattern(s)</b>	Forward Lighting - Spot



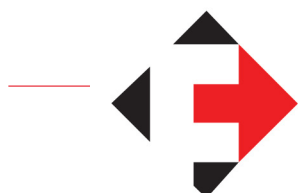
**MS FOSTER**  
SERVING THE TRANSPORTATION INDUSTRY

1040 Highway 212  
Michigan City, IN 46360  
OFFICE 219.879.9225  
TOLL FREE 888.452.4053  
FAX 219.879.9313  
sales@msfoster.com  
www.msfoster.com

# LED Backup Camera Light - Model 778 XD

## APPLICATIONS

---



# MS FOSTER

SERVING THE TRANSPORTATION INDUSTRY

1040 Highway 212  
Michigan City, IN 46360

OFFICE 219.879.9225  
TOLL FREE 888.452.4053  
FAX 219.879.9313

[sales@msfoster.com](mailto:sales@msfoster.com)  
[www.msfoster.com](http://www.msfoster.com)